

# Eamnos / GATX type 9164

## USAGE

This 4-axle box car of the type Eamnos is used for the transportation of non-moisture-sensitive bulk materials, such as coal, mineral ores, gravel, crushed gravel, wood and steel.

## PAYLOAD TABLE

|     | A     | BI    | B2    | C     | D2    | D3 | D4 |
|-----|-------|-------|-------|-------|-------|----|----|
| S   | 42.9t | 52.2t | 60.2t | 60.4t | 70.2t |    |    |
| I20 | 0.0   |       |       |       |       |    |    |

## PRODUCT DETAILS

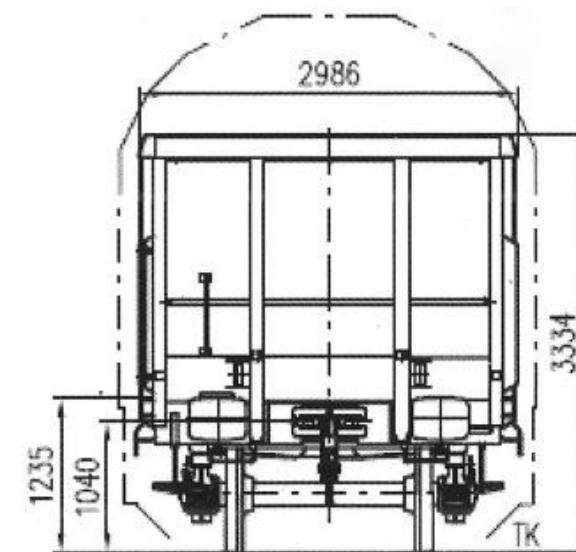
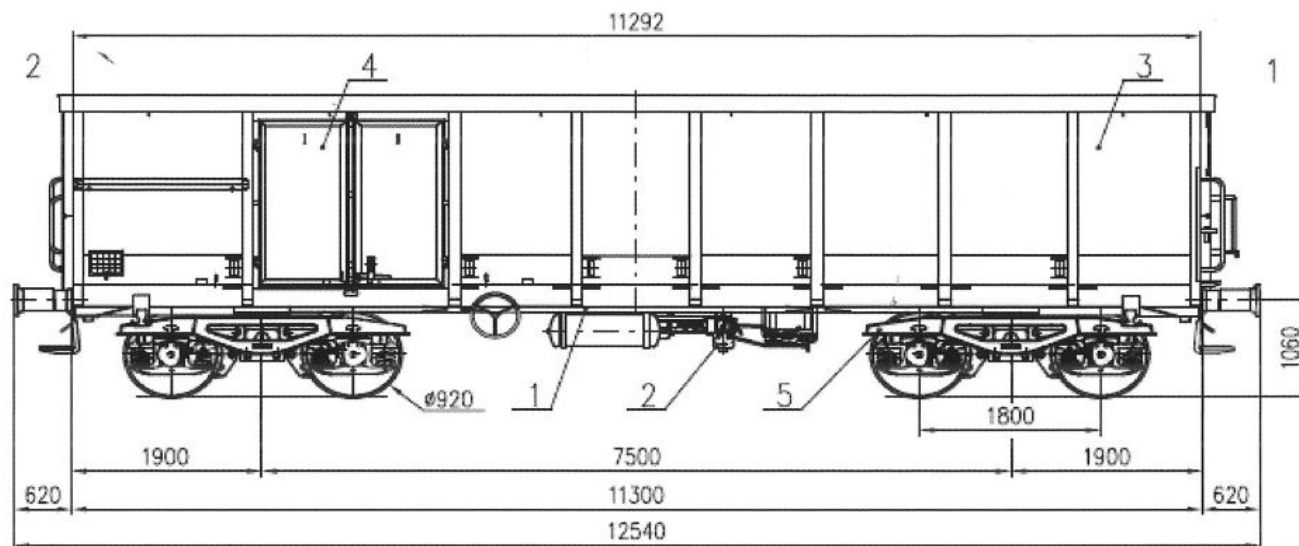
|                              |                     |
|------------------------------|---------------------|
| Capacity                     | 64.5 m <sup>3</sup> |
| Tare weight                  | 19.8 t              |
| Loading area                 | 30.7 m <sup>2</sup> |
| Total weight                 | 90.0 t              |
| Length over buffers          | 12,540 mm           |
| Distance between outer axles | 9,300 mm            |



Scan the QR-code for more details:



#railcarleasingmadeeasier  
www.gatx.eu



### BODY DATA

|               |           |
|---------------|-----------|
| Body material | steel     |
| Outer width   | 3,060 mm  |
| Outer length  | 11,300 mm |

### LOADING/UNLOADING DEVICES

|                |           |
|----------------|-----------|
| Loading length | 11,292 mm |
| Loading width  | 2,720 mm  |

### CLEANING OPENING

|        |          |
|--------|----------|
| Height | 1,800 mm |
| Width  | 1,800 mm |

