

# Eamnos / GATX type 9172

## USAGE

This 4-axle box car of the type Eamnos is used for the transportation of non-moisture-sensitive bulk materials, such as coal, mineral ores, gravel, crushed gravel, wood and steel.

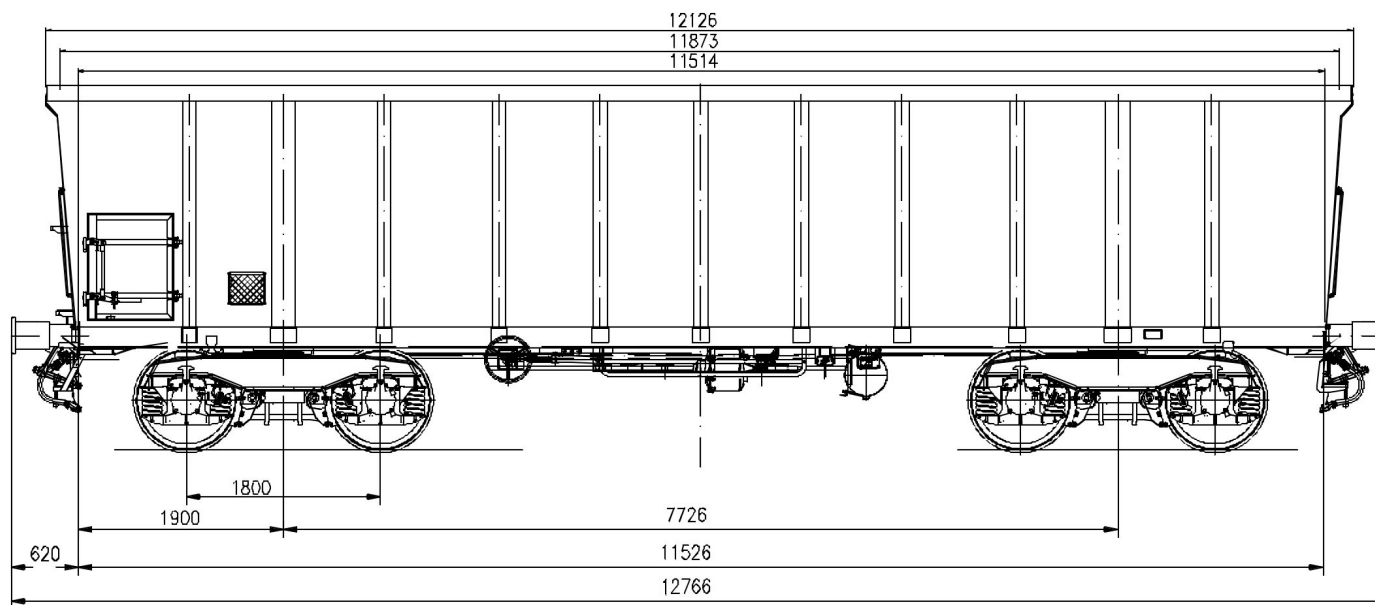
## PAYLOAD TABLE

	A	BI	B2	C3	C4	C2	D2	D3	D4
S	45.1t	53.3t	63.3t	63.3t	63.0t	63.0t		71.3t	
I20	0.0								

## PRODUCT DETAILS

Capacity	71.8 m <sup>3</sup>
Tare weight	18,7 t
Loading area	32.2 m <sup>2</sup>
Total weight	90.0 t
Length over buffers	12,766 mm
Distance between outer axles	9,526 mm





### **BODY DATA**

Body material	high-strength steel
Outer width	3,050 mm
Outer length	12,126 mm

### **LOADING/UNLOADING DEVICES**

Loading length	11,873 mm
Loading width	2,820 mm

### **CLEANING OPENING**

Height	950 mm
Width	775 mm