

Zacens / GATX type I278

USAGE

These wagons are mainly used for the transportation of products which require heating (external mounted heating system) and insulation. The wagons can be operated on D tracks. This railcar can be used for the transportation of paraffin, biodiesel, benzene or paraxylene.

PAYLOAD TABLE

	A	B	C	D
S	37.7 t	45.7 t	53.7 t	63.7 t
I20	0.0			

PRODUCT DETAILS

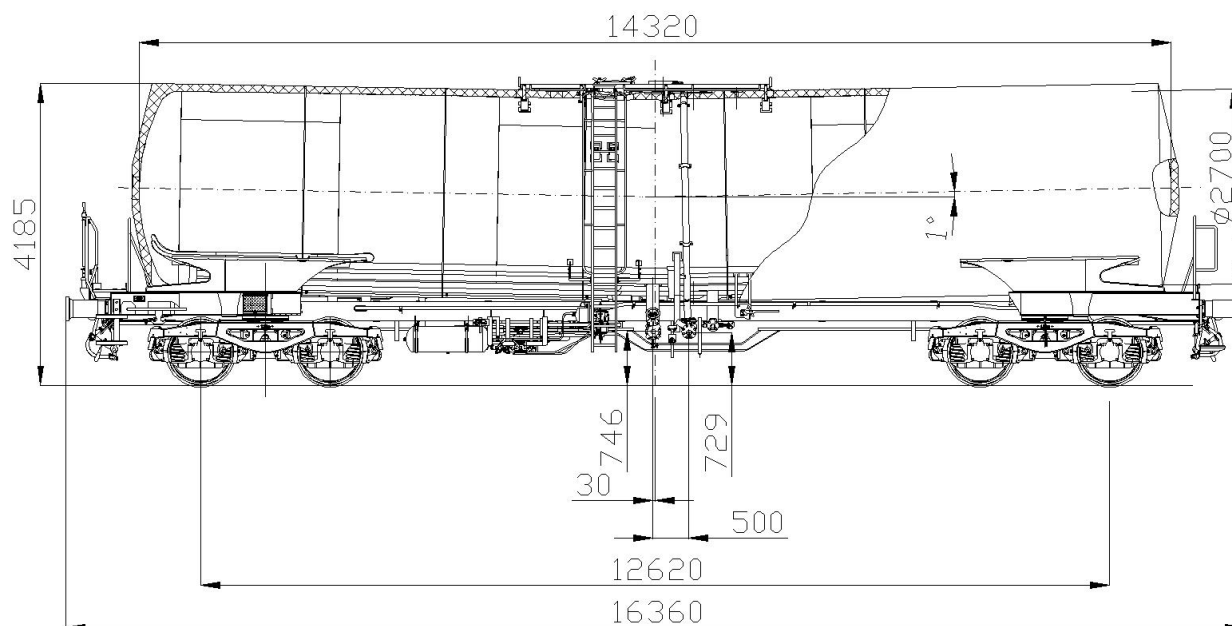
Capacity	78.0 m ³
Tare weight	26.3 t
Total weight	90.0 t
Length over buffers	16,360 mm



Scan the
QR-code for
more details:



#railcarleasingmadeeasier
www.gatx.eu



TANK DATA

Tank code	L4BH
Heating/Insulation	Yes

LOADING/UNLOADING DEVICES

Dome	DN 500
Top unloading device	Optional
Floor operated vapour return	Yes
Forced ventilation valve	Yes
Residue discharging	1°
Side valve	DN 100
Bottom valve	DN 125 / 100

