

Zacens / GATX type I478

USAGE

These heated and insulated wagons are mainly used in the transport of "dark products" such as heavy heating oil or bitumen. The wagons can be operated on D tracks. It can also be used for transport of other products, for example: paraffin, biodiesel, benzene or paraxylene.

PAYLOAD TABLE

	A	B	C	D
S	37.9 t	45.9 t	55.9 t	63.9 t
I20	0.0			

PRODUCT DETAILS

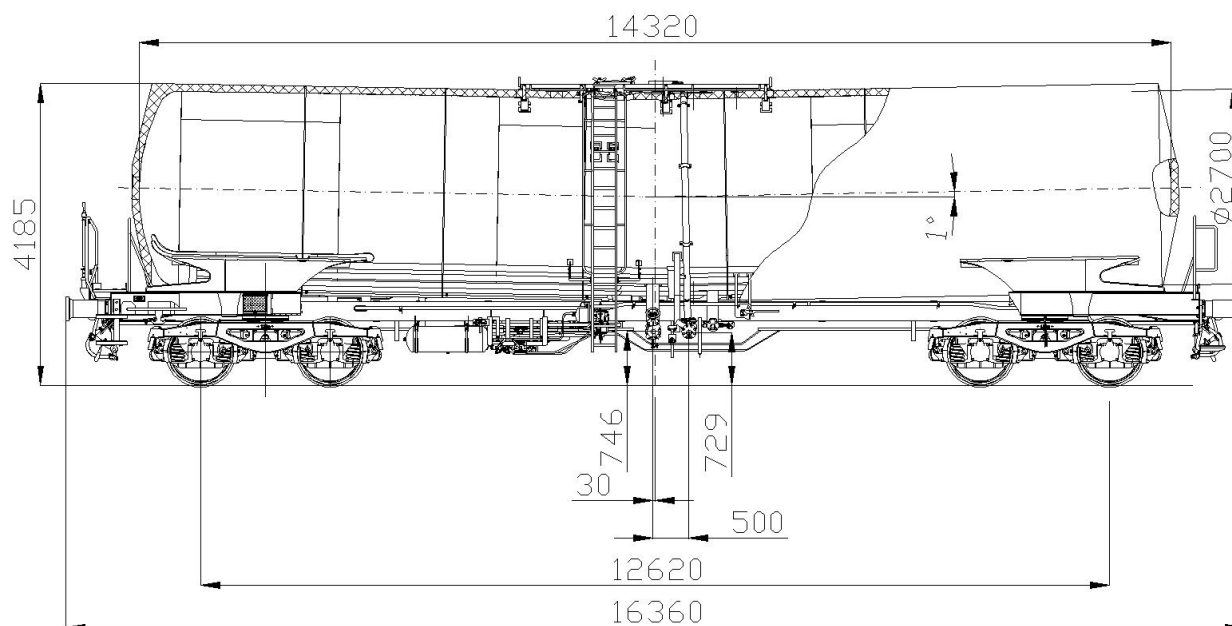
Capacity	78.0 m ³
Tare weight	26.1 t
Total weight	90.0 t
Length over buffers	16,360 mm



Scan the
QR-code for
more details:



#railcarleasingmadeeasier
www.gatx.eu



TANK DATA

Tank code	L4BH
Heating/Insulation	Yes

LOADING/UNLOADING DEVICES

Dome	DN 500
Top unloading device	Optional
Floor operated vapour return	Yes
Forced ventilation valve	Yes
Residue discharging	1°
Side valve	DN 100
Bottom valve	DN 125 / 100

