

# Zacens / GATX type 5250

## USAGE

This 4-axle rail tank car is used for the transportation of various chemical products. The car is optimized for sodium hydroxide solution (NaOH).

## PAYLOAD TABLE

	A	B	C	D
S	41.2t	49.2t	59.2t	67.2t
I20	0.0			

## PRODUCT DETAILS

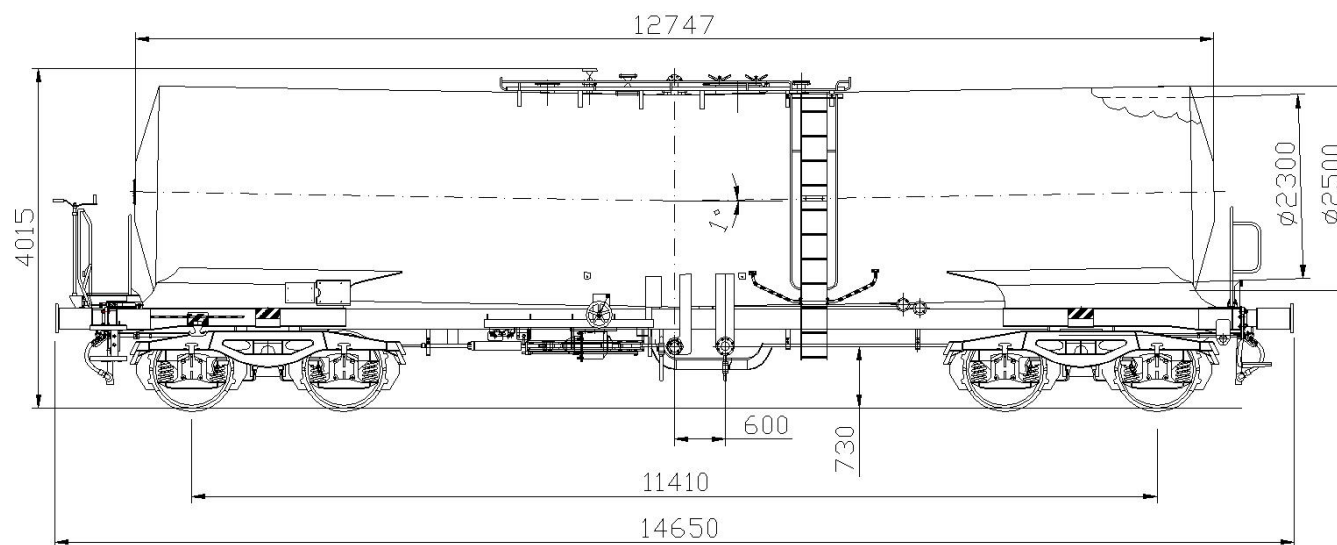
Capacity	50.0 m <sup>3</sup>
Tare weight	23.5 t
Total weight	90.0 t
Length over buffers	14,650 mm



Scan the  
QR-code for  
more details:



#railcarleasingmadeeasier  
[www.gatx.eu](http://www.gatx.eu)



### TANK DATA

Tank material	Stainless steel I.457I
Tank code	L4BH/LIOBH
Heating/Insulation	Yes
Inner coating	No

### REMARKS

Special valves may be mounted according to customer requests.

### LOADING/UNLOADING DEVICES

Dome	DN 500
Top unloading device	Yes
Floor operated vapour return	Yes
Forced ventilation valve	Yes
Residue discharging	1°
Side valve	DN 100
Bottom valve	DN 100

