

Zacns / GATX type 2485

USAGE

This 4-axle rail tank car is used for the transportation of propylene oxide (PO).

PAYLOAD TABLE

	A	B	C	D
S	39.7 t	47.7 t	57.7 t	65.7 t
I20	0.0			

PRODUCT DETAILS

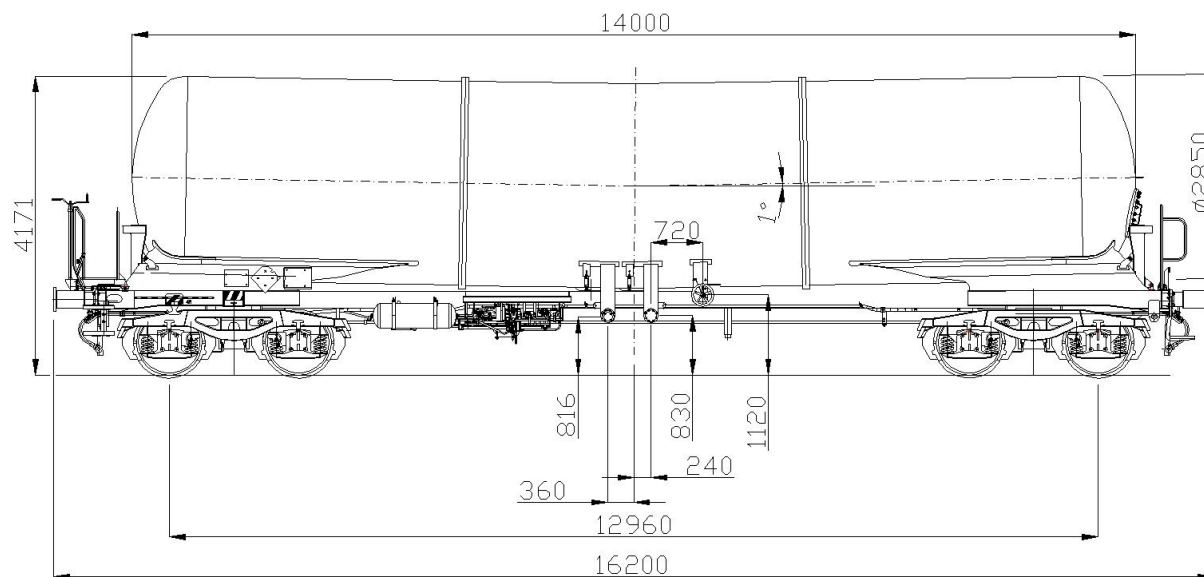
Capacity	85.0 m ³
Tare weight	24.3 t
Total weight	90.0 t
Length over buffers	16,200 mm



Scan the
QR-code for
more details:



#railcarleasingmadeeasier
www.gatx.eu



TANK DATA

Tank material	Steel I.0566
Tank code	LIOBH
Heating/Insulation	No
Inner coating	No

REMARKS

The car can be equipped with head shield.
The car is equipped with valves corresponding to those of gas cars.

LOADING/UNLOADING DEVICES

Dome	DN 500
Top unloading device	No
Floor operated vapour return	Yes
Forced ventilation valve	No
Residue discharging	1°
Side valve	2 x DN 80/50
Bottom valve	2 x DN 80

