

Zacns / GATX type 254I

USAGE

This 4-axle rail tank car is used for the transportation of chemical products. The car is optimized for highly concentrated sulfuric acid 94-98% (H₂SO₄).

PAYLOAD TABLE

	A	B1	B2	C	D
S	42.2 t	49.4 t	50.2 t	58.2 t	68.2 t
I20			0.0		

PRODUCT DETAILS

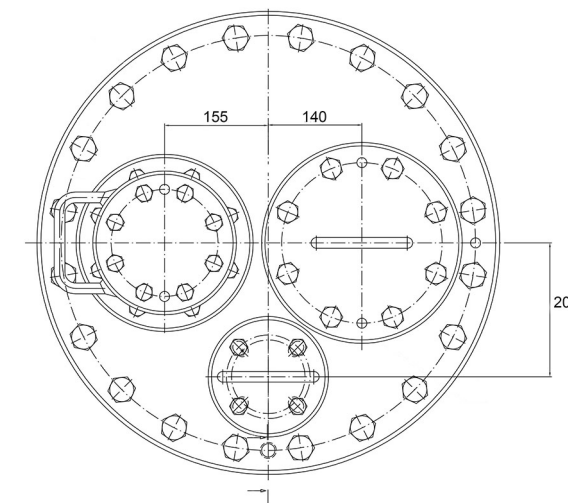
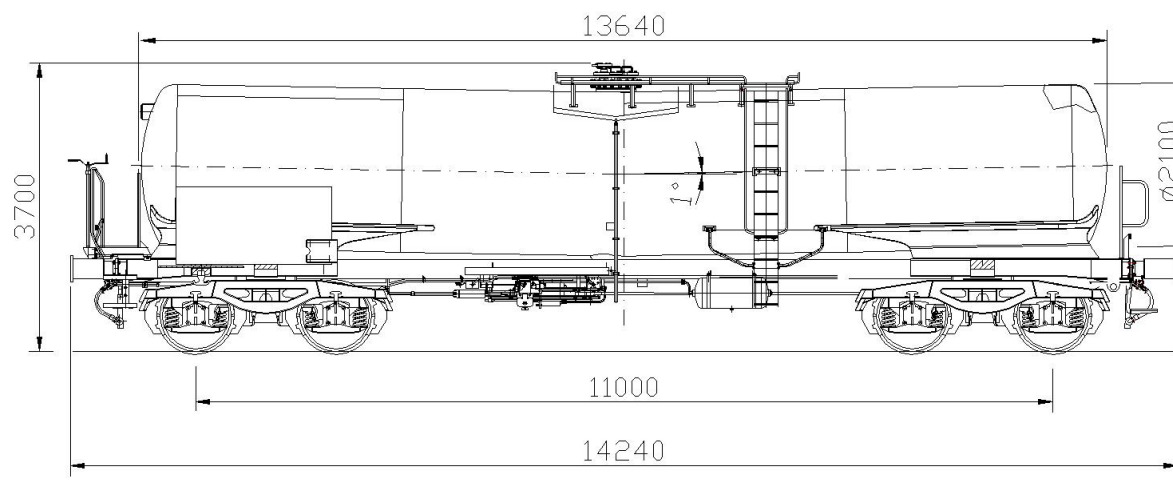
Capacity	41.0 m ³
Tare weight	21.8 t
Total weight	90.0 t
Length over buffers	14,240 mm



Scan the
QR-code for
more details:



#railcarleasingmadeeasier
www.gatx.eu



TANK DATA

Tank material	Steel I.0577
Tank code	L4DH
Heating/Insulation	No
Inner coating	No

REMARKS

The car is also available with bottom unloading (Tank code L4BH).

LOADING/UNLOADING DEVICES

Dome	DN 500
Top unloading device	Yes
Floor operated vapour return	No
Forced ventilation valve	No
Residue discharging	1°
Side valve	No
Bottom valve	No

