

# Zacns / GATX type 3562

## USAGE

This 4-axle rail tank car is used for the transportation of chemical products. The car is optimized for hydrochloric acid (HCl).

## PAYLOAD TABLE

	A	B	C	D
S	41.4 t	49.4 t	59.4 t	67.4 t
I20	0.0			

## PRODUCT DETAILS

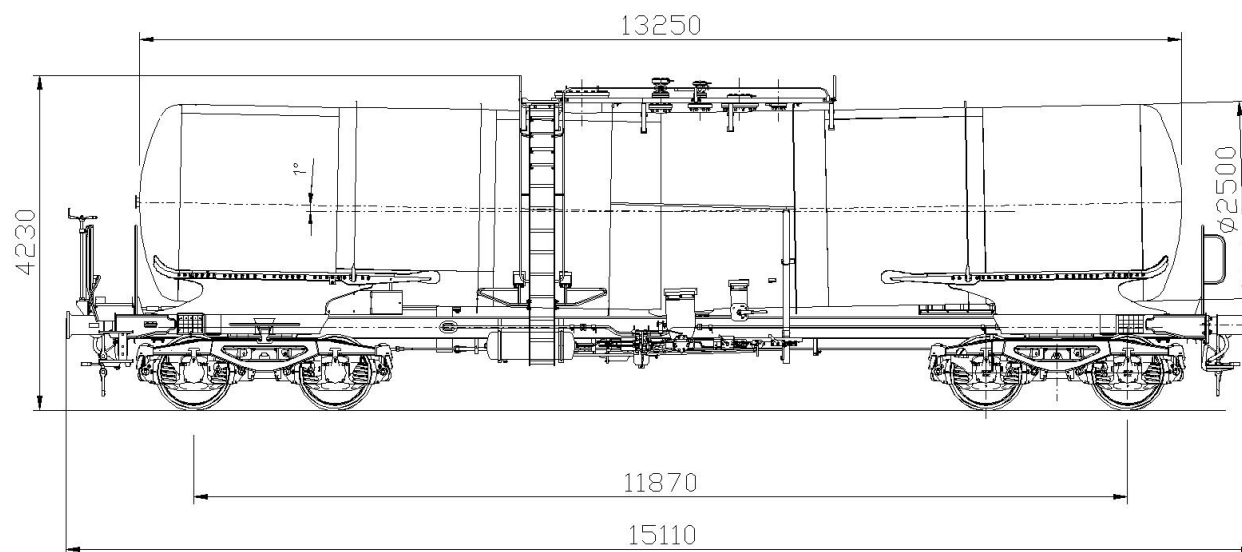
Capacity	62.0 m <sup>3</sup>
Tare weight	22.6 t
Total weight	90.0 t
Length over buffers	15,110 mm



Scan the QR-code for more details:



#railcarleasingmadeeasier  
www.gatx.eu



### TANK DATA

Tank material	Steel I.0570
Tank code	L4DH
Heating/Insulation	No
Inner coating	No

### REMARKS

Removable, rubber lined intermediate flange on filling, pressure and dip tube nozzles.  
Platform grids made of glass-fibre reinforced plastic.  
Highly resistant outside coating in the area of nozzles and overflow.

### LOADING/UNLOADING DEVICES

Dome	DN 500
Top unloading device	Yes
Floor operated vapour return	No
Forced ventilation valve	No
Residue discharging	1°
Side valve	No
Bottom valve	No

