

Zaens, Zacens / GATX type 2278

USAGE

This 4-axle rail tank car is used for the transportation of chemical products such as benzene or phenol.

PAYLOAD TABLE

	A	B	C	D
S	37.9 t	45.9 t	55.9 t	63.9 t
120	0.0			

PRODUCT DETAILS

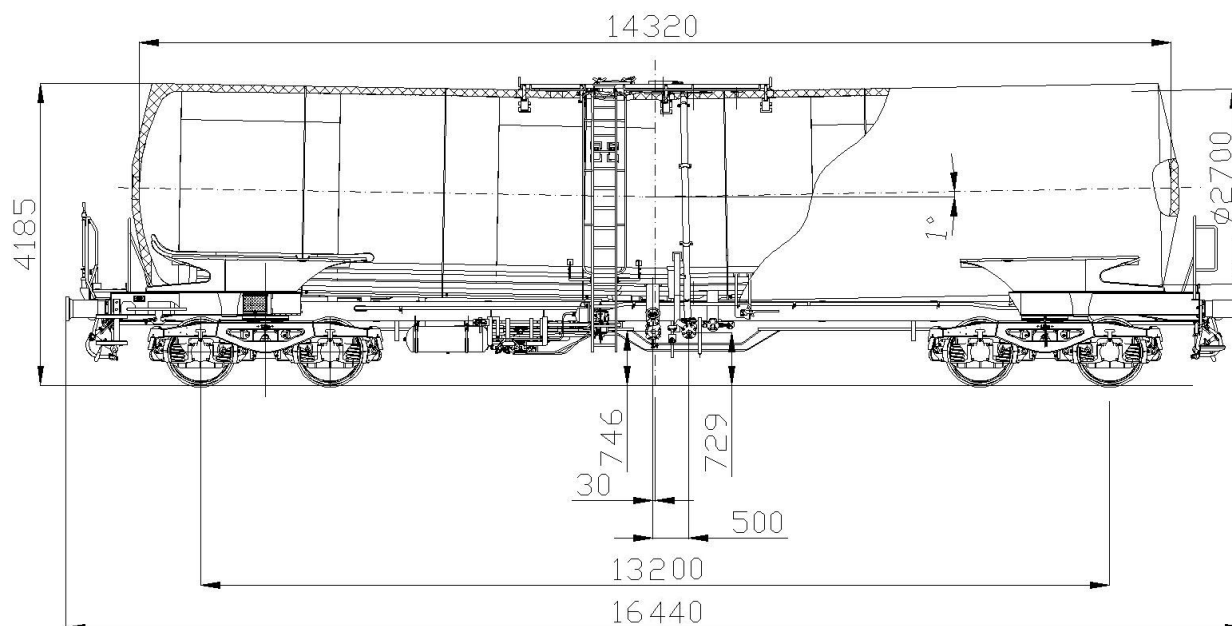
Capacity	78.0 m ³
Tare weight	26.1 t
Total weight	90.0 t
Length over buffers	16,440 mm



Scan the
QR-code for
more details:



#railcarleasingmadeeasier
www.gatx.eu



TANK DATA

Tank material	Steel I.0570
Tank code	L4BH
Heating/Insulation	Yes
Inner coating	No

REMARKS

Dry couplings may be mounted according to customer requests.

LOADING/UNLOADING DEVICES

Dome	DN 500
Top unloading device	Yes
Floor operated vapour return	Yes
Forced ventilation valve	Yes
Residue discharging	1°
Side valve	DN 100
Bottom valve	DN 125

