

# Zags / GATX type 7598 (110 m<sup>3</sup>)

## USAGE

The 4-axled rail tank car is used for the transportation of gases, liquefied under pressure.

## PAYLOAD TABLE

	A	B	C	D
S	30.8 t	38.8 t	48.8 t	56.8 t
I20	0.0			

## PRODUCT DETAILS

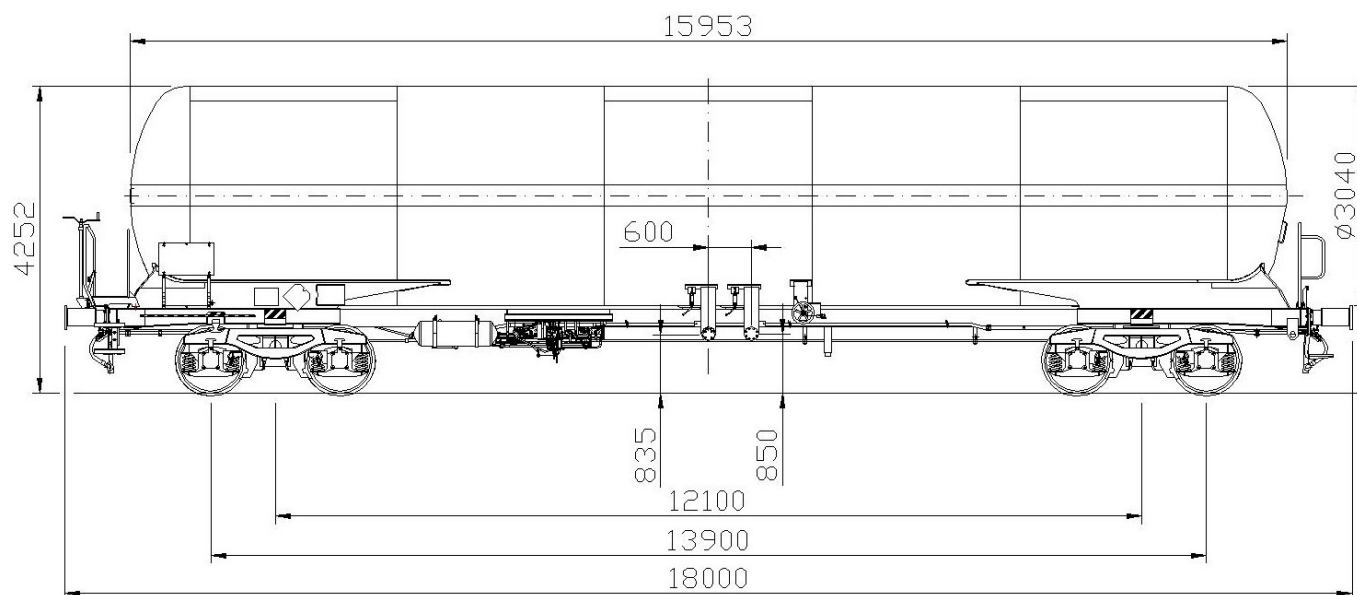
Capacity	110.0 m <sup>3</sup>
Tare weight	33.2 t
Total weight	90.0 t
Length over buffers	18,000 mm
Distance between outer axles	13,900 mm



Scan the  
QR-code for  
more details:



#railcarleasingmadeeasier  
[www.gatx.eu](http://www.gatx.eu)



### TANK DATA

Tank code	P27BH
Test pressure	27 bar
Tank material	Fine grained steel
Lowest filling temperature	-40 °C
Sun shield	No

### LOADING/UNLOADING DEVICES

Side valve liquid phase	DN 80
Side valve gas phase	DN 80
reduced to	DN 50
Bottom valve liquid phase	DN 80
Bottom valve gas phase	DN 80

