

Zans / GATX type 4086

USAGE

This 4-axle rail tank car is used for the transportation of chemical products such as kerosine, styrene or crude benzene.

PAYLOAD TABLE

	A	B	C	D
S	42.5 t	50.5 t	58.5 t	68.5 t
I20	0.0			

PRODUCT DETAILS

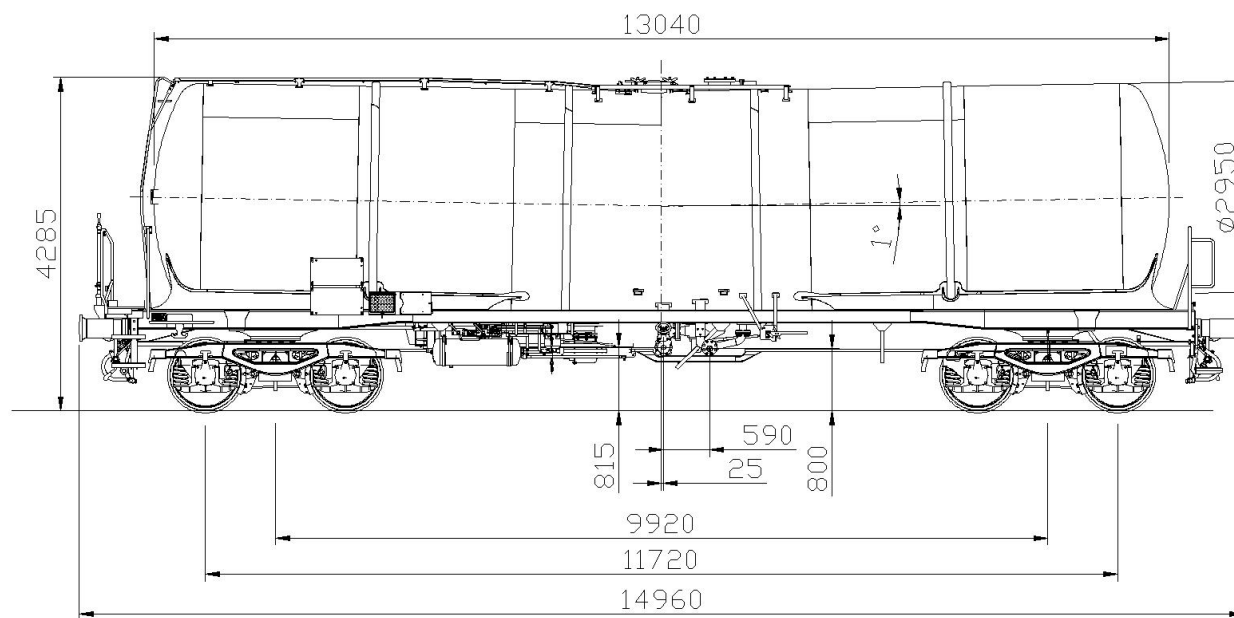
Capacity	86.0 m ³
Tare weight	21.5 t
Total weight	90.0 t
Length over buffers	14,960 mm



Scan the
QR-code for
more details:



#railcarleasingmadeeasier
www.gatx.eu



TANK DATA

Tank material	Steel I.0562
Tank code	L4BH
Heating/Insulation	No
Inner coating	Coated

LOADING/UNLOADING DEVICES

Dome	DN 500
Top unloading device	Optional
Floor operated vapour return	Yes
Forced ventilation valve	Yes
Residue discharging	1°
Side valve	DN 100
Bottom valve	DN 125 / 100

