

Zas / GATX type I083

USAGE

These wagons are the cornerstone of our company. They can be operated on C-tracks and are mainly used in Europe where the rail network is limited to 80 t gross weight cars. The tank code LI.5BN allows for the transportation of a variety of hazardous liquids such as diesel fuel or gasoline.

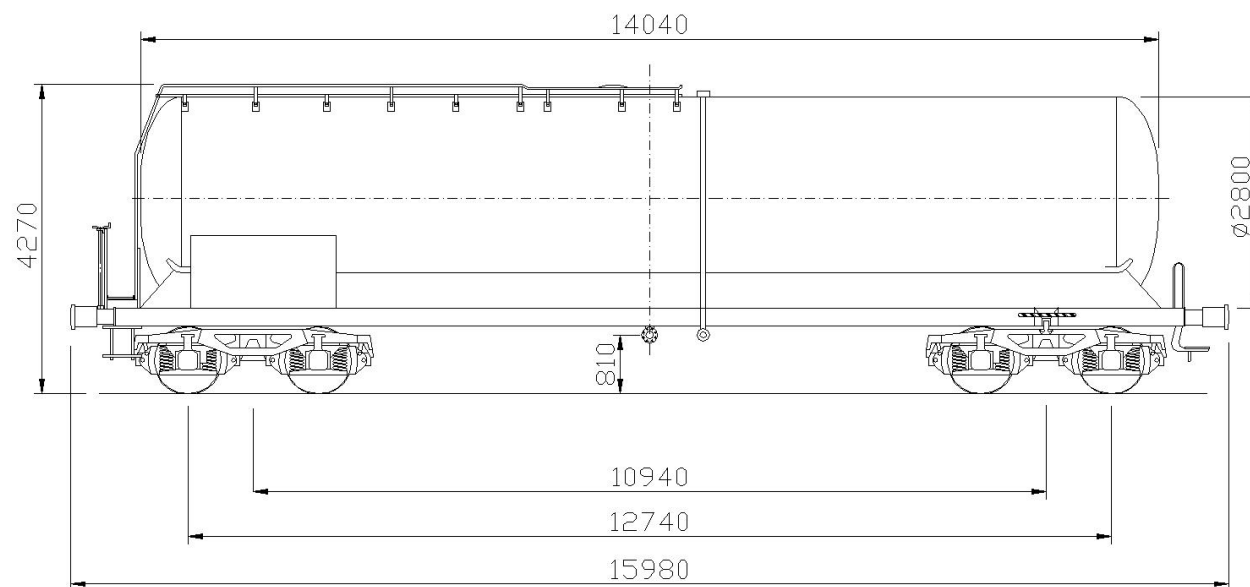
PAYLOAD TABLE

	A	B	C
S	41.5 t	49.5 t	57.5 t
I20		0.0	

PRODUCT DETAILS

Capacity	83.0 m ³
Tare weight	22.5 t
Total weight	80.0 t
Length over buffers	15,980 mm





TANK DATA

Tank code	LI,5BN
Heating/Insulation	No

LOADING/UNLOADING DEVICES

Dome	DN 500
Top unloading device	No
Floor operated vapour return	Yes
Forced ventilation valve	Yes
Residue discharging	1°
Side valve	DN 100
Bottom valve	DN 125 / 100