

Slncps / GATX type 9465

USAGE

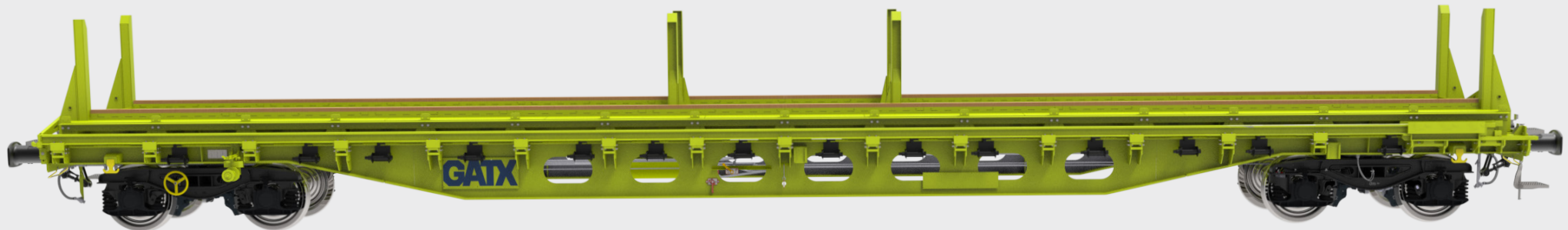
The Slncps car is a modern 4-axle flatcar with fixed stanchions at wagon ends, 4 foldable stanchions and a crane rail system. This car is specially designed for transporting railway sleepers, loaded/unloaded by overhead travelling cranes. The height of the rails for the portal crane can be adjusted between ToR: 1,375 mm and 1,470 mm.

PAYLOAD TABLE

	A	B	C	D
S	38.0t	46.0t	56.0t	64.0t
I20	0.0			

PRODUCT DETAILS

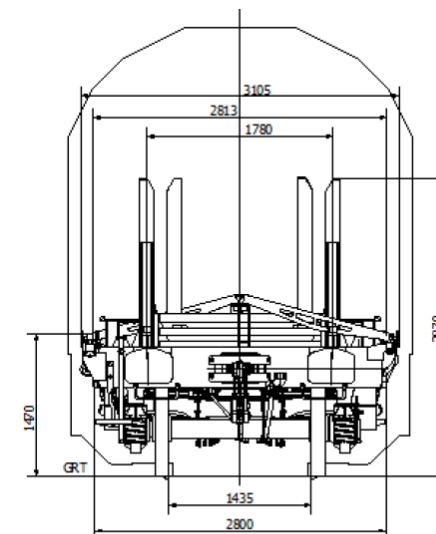
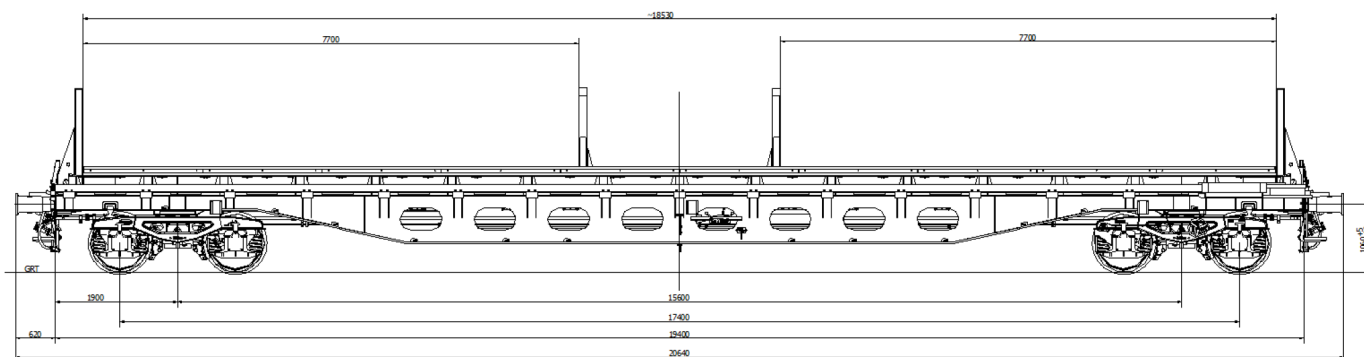
Tare weight	approx. 26.0 t
Loading weight	approx. 64.0 t
Total weight	90.0 t
Length over buffers	20,640 mm
Clearance gauge	G1



Scan the
QR-code for
more details:



#railcarleasingmadeeasier
www.gatx.eu



TECHNICAL DATA

Length over head stocks	19,400 mm
Loading length (stanchions folded)	18,530 mm
Loading length (stanchions set up)	7,700 mm + 7,700 mm
Crane rail profile	S33
Gauge	2,813 mm
Height from floor	1,470 mm
Stanchions	front position welded, middle foldable

LOAD POSSIBILITY

- 3 layers with I80 sleepers (1 layer with 60 sleepers each)
- 4 layers (stanchions set up) with a total of 168 sleepers (1-3 layers of 2 x 24 pieces each and 4 layers of 2 x 12 pieces for left and right)

